



INSTRUCTION FOR INSTALLATION, USE AND MAINTENANCE

Art. 401



Read the instruction before use.
This valve has to be installed in accordance with rules in force.



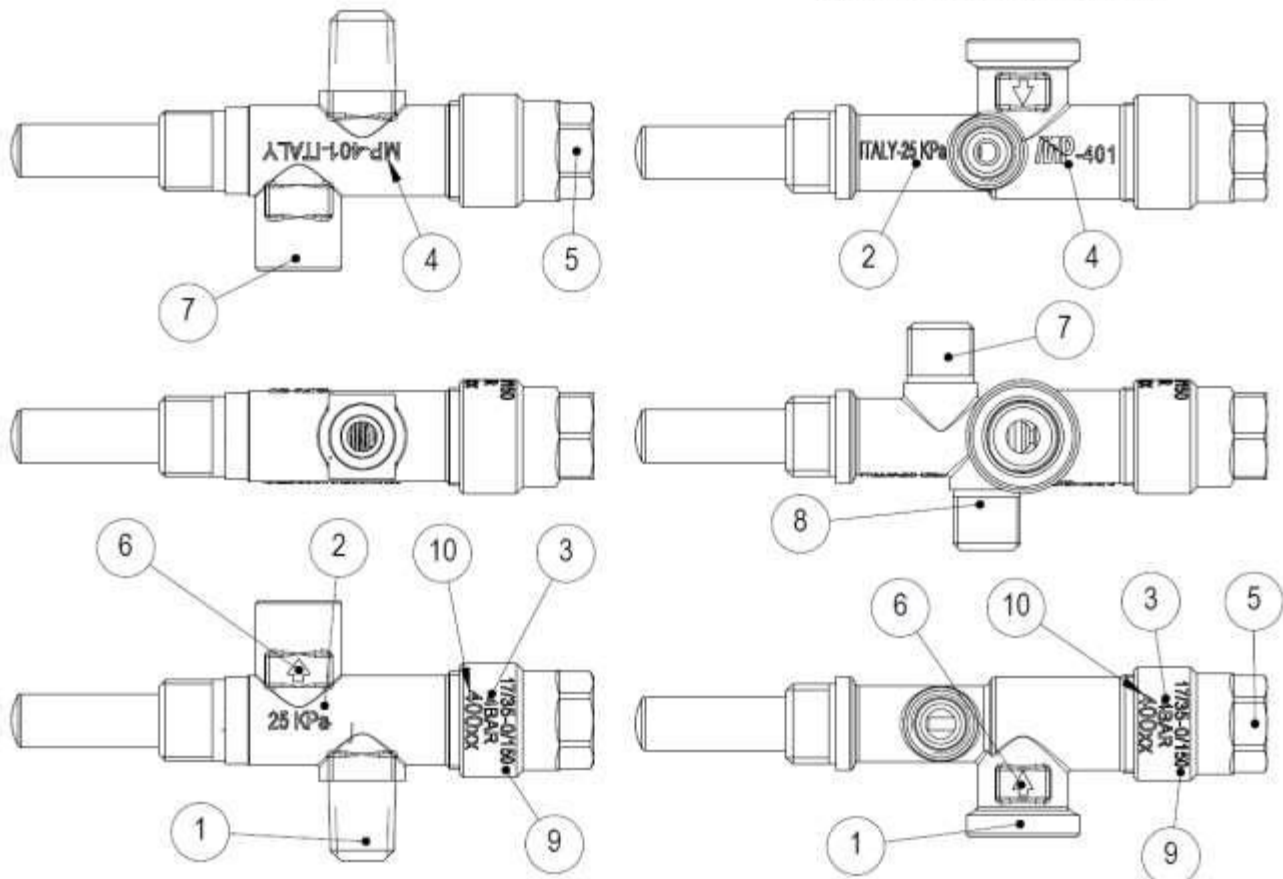
Index

1. Chapter 1	03
1.1 Product Description	03
1.2 Technical Properties	04
1.3 Overall Dimensions	05
2. Chapter 2 - Installation	06
2.1 General Information	06
2.2 Installation and Assembling	07
2.3 Thermocouple Fixing	08
2.4 Gas Inlet and Outlet Connection	09
3. Chapter 3 - Maintenance	10
3.1 General Notes	10

Chapter 1

1.1 - Product description

WITH PILOT / CON PILOTA



1. Gas inlet
2. Max. working pressure
3. Max. working pressure for high pressure valve
4. Manufacturer
5. Thermocouple fixing
6. Gas flow direction
7. Gas outlet
8. Pilot outlet (if present)
9. Production date (year/week or production batch), and range of temperature
10. Valve code

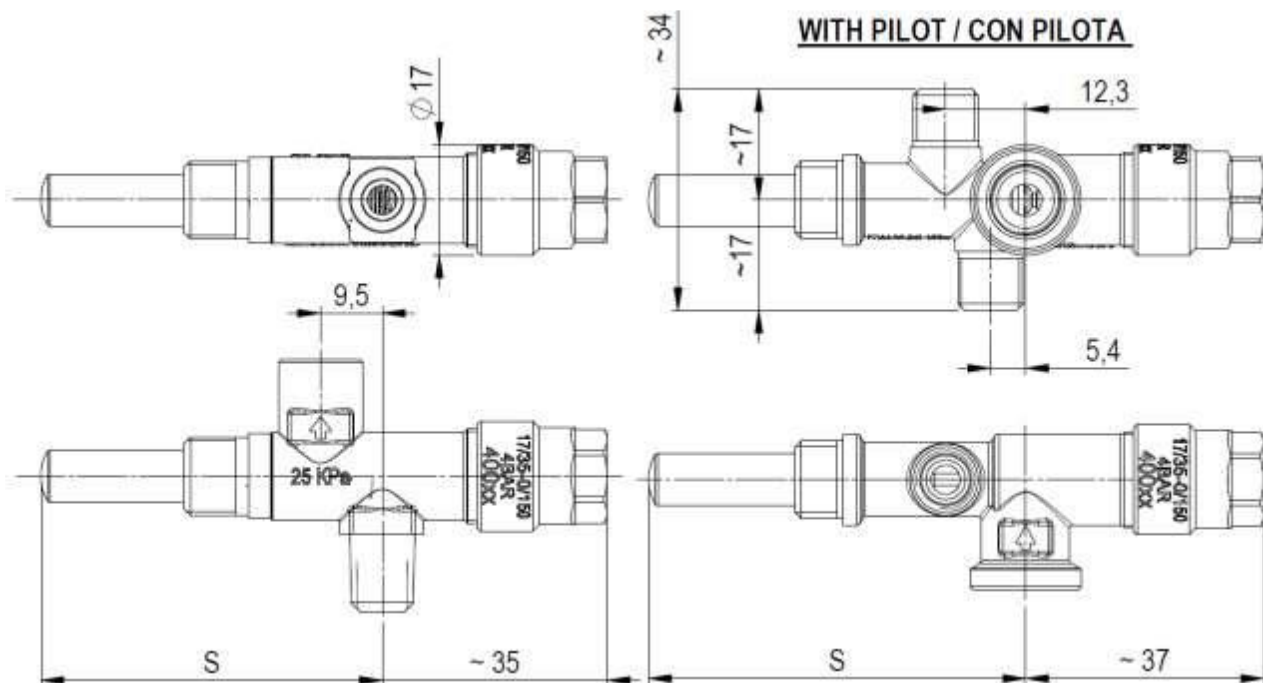
1.2 - Technical properties

CE Approval: in accordance to **GAR EU/2016/426**

Max. pressure	Range of temperature	N° CE certificate
250 mbar	0°-150°	0085AP0329
2,1 bar	0°-80°	0085AP0329
4 bar	0°-100°	

Functioning: ON/OFF
Gas inlet connection : male or female thread according to **DIN EN 10226-1**; flanged pipe screw connection; double cone ring screw connection with nut or nut screw.
Gas outlet connection: Various (male or female thread; nozzle)
Fitted with: safety device for flame control
Applications: heating
Group: 2
Kind of gas: I, II, III
Safety device endurance test : 10.000 (CE)

1.3 - Overall dimensions



Indicative dimensions; for more information see assembly drawing.

Chapter 2 - Installation

2.1 - General Information



Failure to comply with the following requirements may prevent the correct operation and safety of the product.

1. All installation, connection and adjustment operations must be performed only by **qualified personnel** and according to the specific properties of the device;
2. During installation it is important to verify that the **gas flow is in accordance with the arrow** on the valve body;
3. To avoid damage that may compromise correct functioning of the valve, **do not exceed the tightening torques** listed in next chapters;
4. To avoid damage that may compromise correct functioning of the valve, handling of valve shall be taken care of: **avoid falls and bumps**;
5. To avoid damage that may compromise correct functioning of the valve, use the **appropriate tools for installation** operations;
6. In order to avoid any foreign body to enter into the valve, which could compromise the right functioning of the valve, **manifold shall be clean**. A suitable **filter** should be mounted **on the manifold supply inlet**.



After installing or replacing the valve / valves, the installer must always check for gas leakage.

2.2 - Installation and assembling

Fix the gas valve on the Carter by the nut , as shown on **fig. 1**.

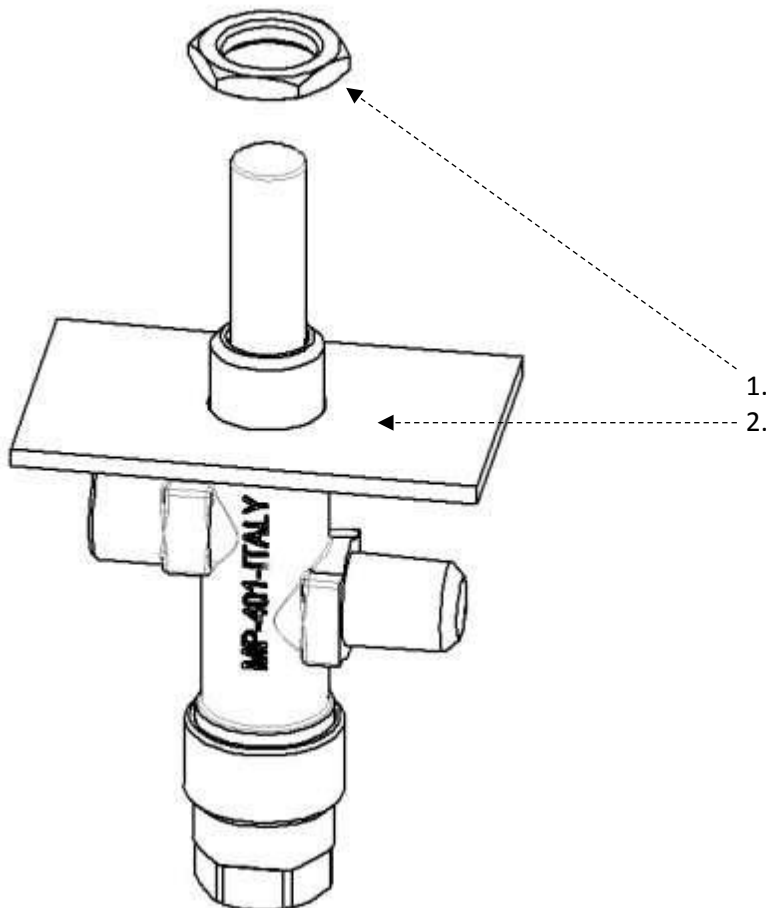


fig. 1

1. Nut M12 x 1 (Cod.14307)
2. Carter

Ideal torque: 12 Nm
Max. torque: 15 Nm

2.3 – Thermocouple fixing

Fix the thermocouple to the gas valve according to the kind of connection provided, as shown on **fig. 2**.



fig. 2

1. **Threaded connection:** screw-in the nut of thermocouple with a torque of 4 Nm max.
2. **Quick connection:** insert the thermocouple connection till the end.
3. **Fast-on connection:** connect the thermocouple terminal to the fast-on.

Available magnet-on and magnet-off currents:

- 200 / 80 mA
- 290 / 110 mA
- 200 / 40 mA
- 180 / 40 mA

2.3 - Gas inlet and outlet connection

Fix the gas inlet and outlet tube to the valve, according to the type of outlet on the body; in order to avoid any damages of the valve, please follow strictly the tightening torques shown in **TABLE 1**.

TABLE 1: Maximum tightening torque (C max)

Inlet	C max	
	Nm	lbf*in
Nut + olive + Ø8 tube	15	133
BSPT tapered	8	70

Outlet	C max	
	Nm	lbf.in
Nut + Olive + Ø8 tube	15	133
Nut + Olive + Ø6 tube	10	89
Nuzzle	4	35

For different connections, please see specification on assembly drawing.

Replacement of injector

Unscrew the injector to be replaced by the means of an exagonal spanner n°7.
Screw-in new injector with a torque of 3,5 - 4 Nm

Chapter 3 - Maintenance

3.1 - General notes

All installation, connection and adjustment operations must be performed only by qualified personnel and according to the specific properties of the device. During installation it is important to verify that the gas flow is in accordance with the arrow on the valve body.

The valves are designed in order to be able to operate inside the cooking appliances, protected by any possible liquids or dirty infiltrations and by the atmospheric agents. The non-compliance of such a prescription may prevent the right functioning and the safety of the product.

It is absolutely forbidden to tamper with the sealed parts, unscrew the assembling screws and remove any part or marking on the valve. It's good to avoid that the valve suffers any kind of shocks (bumps, falls etc.)

In order to avoid any foreign body to enter into the valve, which could compromise the right functioning of the valve, it is necessary to assemble a proper filter; the inlet filter must be provided upstream of the manifold as required by the standard.



No kind of maintenance on the valve is allowed. It is absolutely forbidden to Tamper with the sealed parts, unscrew the assembling screws and remove any part or marking on the valve. The parts of the device mounted or adjusted during manufacturing and not intended for manipulation by the user or installer must be adequately protected.

Info and contacts



MP GAS CONTROLS S.P.A.
VIA NEZIOLE 2
25055 - PISOGLNE (BS) - ITALY
+39 0364 89020
info@mpgascontrols.com